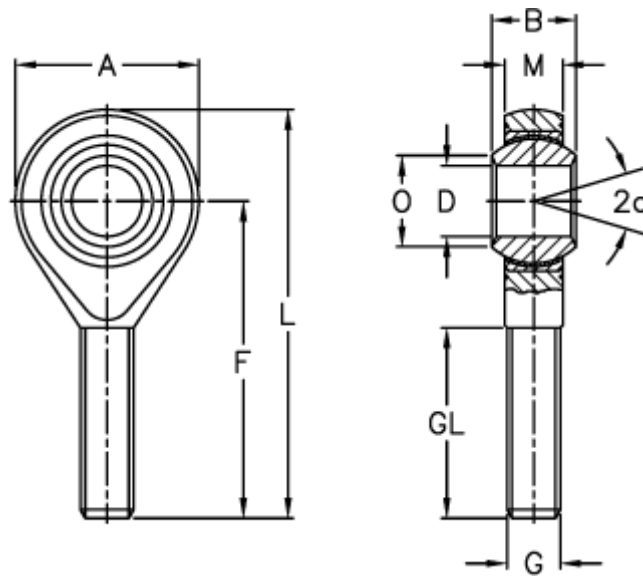


Article number: 03212018

Description: Fluro Rod End GALXSW 18
Zinc Plated with left-handed thread

Measures



A	= 46	L	= 95
a (degrees)	= 15	M	= 16.5
B	= 23	O	= 21.8
D	= 18	Permissible rpm	= 210
Dynamic load C (kN)	= 64	Static load C0 (kN)	= 81.5
F	= 72	Weight (g)	= 267
g	= M18x1,5		
GL	= 44		